



Full wwPDB X-ray Structure Validation Report ⓘ

Sep 5, 2023 – 09:19 AM EDT

PDB ID : 3TP4
Title : Crystal Structure of engineered protein at the resolution 1.98Å, Northeast Structural Genomics Consortium Target OR128
Authors : Kuzin, A.; Su, M.; Seetharaman, J.; Rajagopalan, S.; Everett, J.K.; Nair, R.; Acton, T.B.; Rost, B.; Baker, D.; Montelione, G.T.; Hunt, J.F.; Tong, L.; Northeast Structural Genomics Consortium (NESG)
Deposited on : 2011-09-07
Resolution : 1.98 Å(reported)

This is a Full wwPDB X-ray Structure Validation Report for a publicly released PDB entry.

We welcome your comments at validation@mail.wwpdb.org

A user guide is available at

<https://www.wwpdb.org/validation/2017/XrayValidationReportHelp>

with specific help available everywhere you see the ⓘ symbol.

The types of validation reports are described at

<http://www.wwpdb.org/validation/2017/FAQs#types>.

The following versions of software and data (see [references ⓘ](#)) were used in the production of this report:

MolProbity : 4.02b-467
Mogul : 1.8.5 (274361), CSD as541be (2020)
Xtrriage (Phenix) : 1.13
EDS : 2.35
Percentile statistics : 20191225.v01 (using entries in the PDB archive December 25th 2019)
Refmac : 5.8.0158
CCP4 : 7.0.044 (Gargrove)
Ideal geometry (proteins) : Engh & Huber (2001)
Ideal geometry (DNA, RNA) : Parkinson et al. (1996)
Validation Pipeline (wwPDB-VP) : 2.35

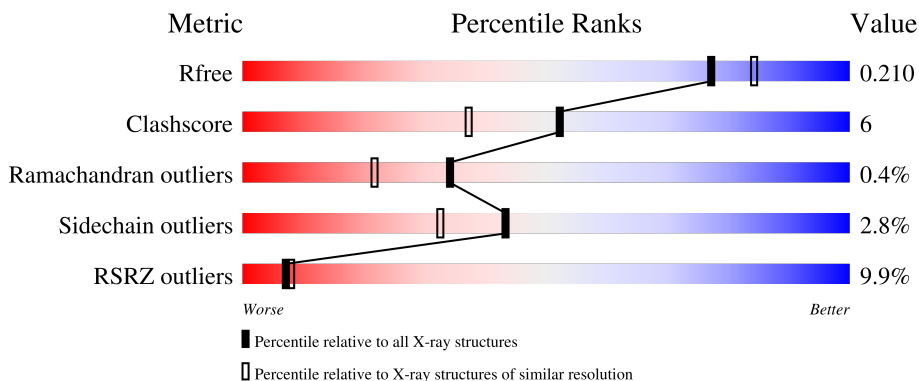
1 Overall quality at a glance

The following experimental techniques were used to determine the structure:

X-RAY DIFFRACTION

The reported resolution of this entry is 1.98 Å.

Percentile scores (ranging between 0-100) for global validation metrics of the entry are shown in the following graphic. The table shows the number of entries on which the scores are based.



Metric	Whole archive (#Entries)	Similar resolution (#Entries, resolution range(Å))
R_{free}	130704	11647 (2.00-1.96)
Clashscore	141614	1014 (1.98-1.98)
Ramachandran outliers	138981	1006 (1.98-1.98)
Sidechain outliers	138945	1006 (1.98-1.98)
RSRZ outliers	127900	11410 (2.00-1.96)

The table below summarises the geometric issues observed across the polymeric chains and their fit to the electron density. The red, orange, yellow and green segments of the lower bar indicate the fraction of residues that contain outliers for ≥ 3 , 2, 1 and 0 types of geometric quality criteria respectively. A grey segment represents the fraction of residues that are not modelled. The numeric value for each fraction is indicated below the corresponding segment, with a dot representing fractions $\leq 5\%$. The upper red bar (where present) indicates the fraction of residues that have poor fit to the electron density. The numeric value is given above the bar.

Mol	Chain	Length	Quality of chain
1	A	475	 9% 82% 12% . .
1	B	475	 10% 84% 11% . .

2 Entry composition [i](#)

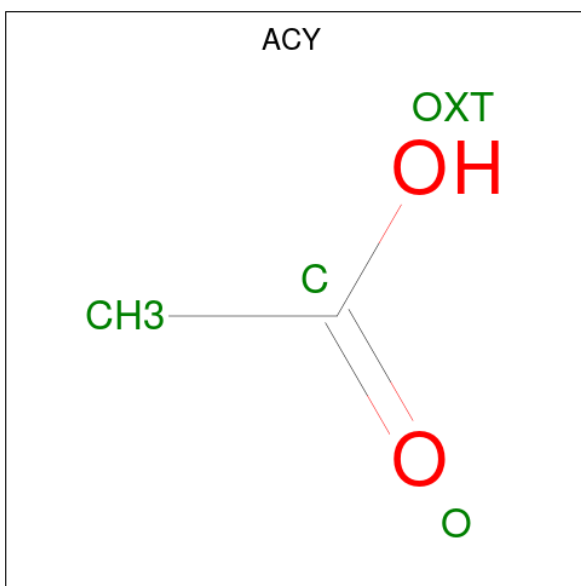
There are 5 unique types of molecules in this entry. The entry contains 7521 atoms, of which 0 are hydrogens and 0 are deuteriums.

In the tables below, the ZeroOcc column contains the number of atoms modelled with zero occupancy, the AltConf column contains the number of residues with at least one atom in alternate conformation and the Trace column contains the number of residues modelled with at most 2 atoms.

- Molecule 1 is a protein called computational Design of Enzyme.

Mol	Chain	Residues	Atoms					ZeroOcc	AltConf	Trace
			Total	C	N	O	Se			
1	A	454	Total 3375	C 2130	N 566	O 677	Se 2	0	0	0
1	B	457	Total 3395	C 2142	N 570	O 681	Se 2	0	0	0

- Molecule 2 is ACETIC ACID (three-letter code: ACY) (formula: C₂H₄O₂).



Mol	Chain	Residues	Atoms			ZeroOcc	AltConf
			Total	C	O		
2	A	1	Total 4	C 2	O 2	0	0
2	B	1	Total 4	C 2	O 2	0	0

- Molecule 3 is MAGNESIUM ION (three-letter code: MG) (formula: Mg).

Mol	Chain	Residues	Atoms	ZeroOcc	AltConf
3	B	1	Total Mg 1 1	0	0

- Molecule 4 is DI(HYDROXYETHYL)ETHER (three-letter code: PEG) (formula: C₄H₁₀O₃).



Mol	Chain	Residues	Atoms	ZeroOcc	AltConf
4	B	1	Total C O 7 4 3	0	0

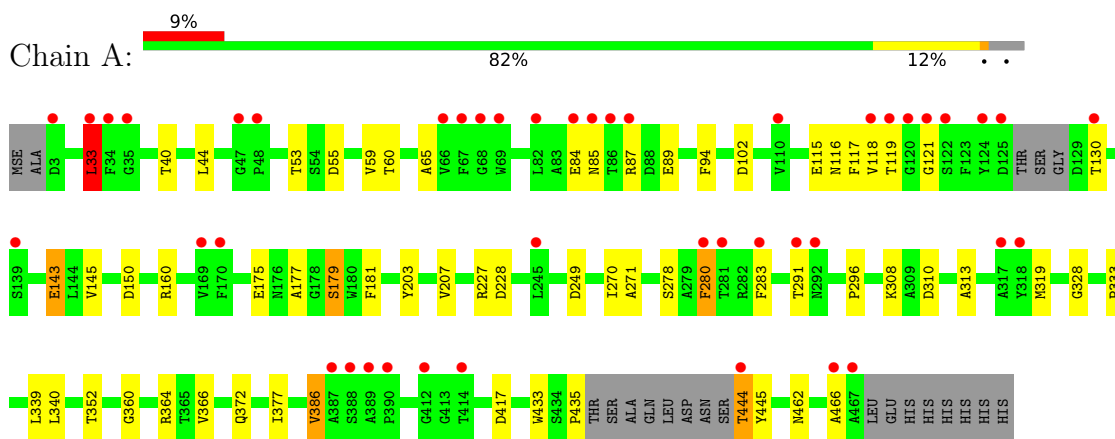
- Molecule 5 is water.

Mol	Chain	Residues	Atoms	ZeroOcc	AltConf
5	A	384	Total O 384 384	0	0
5	B	351	Total O 351 351	0	0

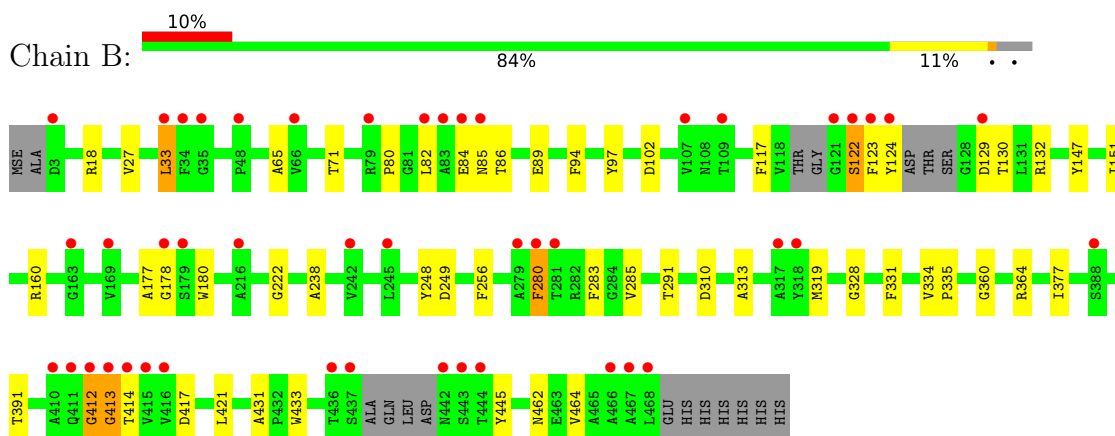
3 Residue-property plots [i](#)

These plots are drawn for all protein, RNA, DNA and oligosaccharide chains in the entry. The first graphic for a chain summarises the proportions of the various outlier classes displayed in the second graphic. The second graphic shows the sequence view annotated by issues in geometry and electron density. Residues are color-coded according to the number of geometric quality criteria for which they contain at least one outlier: green = 0, yellow = 1, orange = 2 and red = 3 or more. A red dot above a residue indicates a poor fit to the electron density ($RSRZ > 2$). Stretches of 2 or more consecutive residues without any outlier are shown as a green connector. Residues present in the sample, but not in the model, are shown in grey.

- Molecule 1: computational Design of Enzyme



- Molecule 1: computational Design of Enzyme



4 Data and refinement statistics

Property	Value	Source
Space group	P 21 21 21	Depositor
Cell constants a, b, c, α , β , γ	88.67Å 113.94Å 116.81Å 90.00° 90.00° 90.00°	Depositor
Resolution (Å)	29.26 – 1.98 29.26 – 1.98	Depositor EDS
% Data completeness (in resolution range)	97.9 (29.26-1.98) 97.9 (29.26-1.98)	Depositor EDS
R_{merge}	0.06	Depositor
R_{sym}	(Not available)	Depositor
$\langle I/\sigma(I) \rangle$ ¹	1.85 (at 1.98Å)	Xtrriage
Refinement program	PHENIX 1.7.1_743	Depositor
R, R_{free}	0.178 , 0.218 0.172 , 0.210	Depositor DCC
R_{free} test set	4074 reflections (5.01%)	wwPDB-VP
Wilson B-factor (Å ²)	34.7	Xtrriage
Anisotropy	0.231	Xtrriage
Bulk solvent k_{sol} (e/Å ³), B_{sol} (Å ²)	0.33 , 53.5	EDS
L-test for twinning ²	$\langle L \rangle = 0.49$, $\langle L^2 \rangle = 0.33$	Xtrriage
Estimated twinning fraction	0.008 for -h,l,k	Xtrriage
F_o, F_c correlation	0.96	EDS
Total number of atoms	7521	wwPDB-VP
Average B, all atoms (Å ²)	37.0	wwPDB-VP

Xtrriage's analysis on translational NCS is as follows: *The largest off-origin peak in the Patterson function is 10.98% of the height of the origin peak. No significant pseudotranslation is detected.*

¹Intensities estimated from amplitudes.

²Theoretical values of $\langle |L| \rangle$, $\langle L^2 \rangle$ for acentric reflections are 0.5, 0.333 respectively for untwinned datasets, and 0.375, 0.2 for perfectly twinned datasets.

5 Model quality [i](#)

5.1 Standard geometry [i](#)

Bond lengths and bond angles in the following residue types are not validated in this section: MG, ACY, PEG

The Z score for a bond length (or angle) is the number of standard deviations the observed value is removed from the expected value. A bond length (or angle) with $|Z| > 5$ is considered an outlier worth inspection. RMSZ is the root-mean-square of all Z scores of the bond lengths (or angles).

Mol	Chain	Bond lengths		Bond angles	
		RMSZ	# Z >5	RMSZ	# Z >5
1	A	0.37	0/3454	0.51	1/4724 (0.0%)
1	B	0.35	0/3473	0.50	0/4748
All	All	0.36	0/6927	0.51	1/9472 (0.0%)

There are no bond length outliers.

All (1) bond angle outliers are listed below:

Mol	Chain	Res	Type	Atoms	Z	Observed(°)	Ideal(°)
1	A	33	LEU	CA-CB-CG	5.51	127.98	115.30

There are no chirality outliers.

There are no planarity outliers.

5.2 Too-close contacts [i](#)

In the following table, the Non-H and H(model) columns list the number of non-hydrogen atoms and hydrogen atoms in the chain respectively. The H(added) column lists the number of hydrogen atoms added and optimized by MolProbity. The Clashes column lists the number of clashes within the asymmetric unit, whereas Symm-Clashes lists symmetry-related clashes.

Mol	Chain	Non-H	H(model)	H(added)	Clashes	Symm-Clashes
1	A	3375	0	3185	38	0
1	B	3395	0	3207	35	0
2	A	4	0	3	1	0
2	B	4	0	3	1	0
3	B	1	0	0	0	0
4	B	7	0	10	1	0
5	A	384	0	0	6	1
5	B	351	0	0	3	1

Continued on next page...

Continued from previous page...

Mol	Chain	Non-H	H(model)	H(added)	Clashes	Symm-Clashes
All	All	7521	0	6408	73	1

The all-atom clashscore is defined as the number of clashes found per 1000 atoms (including hydrogen atoms). The all-atom clashscore for this structure is 6.

All (73) close contacts within the same asymmetric unit are listed below, sorted by their clash magnitude.

Atom-1	Atom-2	Interatomic distance (Å)	Clash overlap (Å)
1:A:444:THR:O	1:A:444:THR:OG1	1.97	0.77
1:B:412:GLY:O	1:B:414:THR:N	2.17	0.76
1:A:228:ASP:OD2	5:A:734:HOH:O	2.06	0.73
1:A:117:PHE:O	1:A:130:THR:HG21	1.90	0.71
1:A:291:THR:HB	1:A:328:GLY:HA2	1.72	0.70
1:A:175:GLU:HG3	1:A:177:ALA:O	1.92	0.69
1:B:238:ALA:HB2	2:B:477:ACY:H1	1.74	0.69
1:A:102:ASP:OD2	1:A:160:ARG:HD3	1.92	0.68
1:B:391:THR:O	5:B:833:HOH:O	2.11	0.68
1:B:147:TYR:HE1	1:B:151:ILE:HD11	1.59	0.67
1:A:115:GLU:O	1:A:118:VAL:HG22	1.96	0.66
1:A:177:ALA:O	1:A:181:PHE:HA	1.96	0.64
1:B:360:GLY:O	1:B:364:ARG:HD2	1.98	0.63
1:A:59:VAL:HG23	1:A:60:THR:HG23	1.80	0.63
1:A:179:SER:H	2:A:476:ACY:H2	1.66	0.61
1:A:360:GLY:O	1:A:364:ARG:HD2	2.00	0.61
1:A:308:LYS:NZ	5:A:629:HOH:O	2.26	0.60
1:B:85:ASN:HB3	1:B:89:GLU:HG3	1.83	0.60
1:B:129:ASP:HB3	4:B:478:PEG:O1	2.02	0.59
1:B:147:TYR:CE1	1:B:151:ILE:HD11	2.37	0.59
1:B:291:THR:HB	1:B:328:GLY:HA2	1.84	0.58
1:B:310:ASP:HB3	1:B:313:ALA:HB3	1.87	0.57
1:A:33:LEU:HD13	1:A:65:ALA:HB1	1.87	0.56
1:A:372:GLN:HG2	5:A:755:HOH:O	2.07	0.55
1:A:33:LEU:HB3	1:A:65:ALA:HB3	1.87	0.54
1:B:122:SER:N	1:B:123:PHE:HA	2.23	0.54
1:A:280:PHE:O	1:A:319:MSE:HA	2.09	0.52
1:B:433:TRP:N	5:B:833:HOH:O	2.36	0.52
1:B:33:LEU:HB3	1:B:65:ALA:HB3	1.91	0.51
1:B:445:TYR:HB2	1:B:464:VAL:CG2	2.41	0.51
1:B:86:THR:OG1	1:B:89:GLU:HG2	2.11	0.50
1:A:227:ARG:HG2	1:A:270:ILE:HD11	1.93	0.50
1:A:85:ASN:HB3	1:A:89:GLU:HG3	1.94	0.50

Continued on next page...

Continued from previous page...

Atom-1	Atom-2	Interatomic distance (Å)	Clash overlap (Å)
1:A:352:THR:O	5:A:540:HOH:O	2.20	0.49
1:A:116:ASN:HA	1:A:121:GLY:HA3	1.93	0.49
1:B:82:LEU:HB2	1:B:85:ASN:ND2	2.27	0.48
1:A:433:TRP:HZ2	1:A:444:THR:HA	1.79	0.47
1:B:249:ASP:HB2	1:B:256:PHE:CE1	2.50	0.47
1:A:377:ILE:HB	1:A:462:ASN:ND2	2.29	0.47
1:B:124:TYR:CD2	1:B:147:TYR:CD2	3.03	0.47
1:B:280:PHE:O	1:B:319:MSE:HA	2.14	0.47
1:B:249:ASP:O	1:B:285:VAL:HA	2.16	0.46
1:B:80:PRO:HB3	1:B:97:TYR:CZ	2.50	0.46
1:A:333:PRO:HB2	1:A:340:LEU:HA	1.99	0.45
1:B:334:VAL:HB	1:B:335:PRO:HD2	1.99	0.45
1:A:310:ASP:HB3	1:A:313:ALA:HB3	1.98	0.45
1:A:364:ARG:NH2	5:A:488:HOH:O	2.32	0.45
1:B:18:ARG:NH2	5:B:618:HOH:O	2.49	0.45
1:B:71:THR:HG1	1:B:147:TYR:HH	1.64	0.45
1:B:124:TYR:CD2	1:B:147:TYR:HD2	2.35	0.45
1:A:40:THR:HA	1:A:53:THR:O	2.17	0.45
1:A:145:VAL:HG13	1:A:203:TYR:CZ	2.51	0.44
1:A:435:PRO:HB3	1:A:444:THR:HB	1.99	0.44
1:A:55:ASP:O	1:A:59:VAL:HG22	2.18	0.44
1:A:227:ARG:HD2	5:A:797:HOH:O	2.19	0.43
1:B:377:ILE:HB	1:B:462:ASN:ND2	2.34	0.43
1:A:386:VAL:HG13	1:A:466:ALA:HA	2.00	0.42
1:A:44:LEU:N	1:A:44:LEU:HD23	2.34	0.42
1:A:296:PRO:O	1:A:339:LEU:HD21	2.20	0.41
1:A:87:ARG:NH1	1:A:150:ASP:OD2	2.51	0.41
1:A:143:GLU:H	1:A:143:GLU:HG2	1.65	0.41
1:B:33:LEU:HD13	1:B:65:ALA:HB1	2.03	0.41
1:B:248:TYR:HE2	1:B:331:PHE:CE2	2.39	0.41
1:A:203:TYR:O	1:A:207:VAL:HB	2.21	0.41
1:A:271:ALA:HB2	1:A:278:SER:HB3	2.02	0.41
1:A:283:PHE:CE2	1:A:319:MSE:HE2	2.55	0.41
1:B:421:LEU:HD22	1:B:431:ALA:CB	2.51	0.41
1:B:117:PHE:HA	1:B:130:THR:HG21	2.02	0.40
1:B:180:TRP:CE3	1:B:222:GLY:HA3	2.57	0.40
1:B:102:ASP:OD2	1:B:160:ARG:HD3	2.21	0.40
1:B:412:GLY:O	1:B:413:GLY:C	2.59	0.40
1:B:177:ALA:HA	1:B:178:GLY:HA2	1.76	0.40
1:B:283:PHE:CE2	1:B:319:MSE:HE2	2.55	0.40

All (1) symmetry-related close contacts are listed below. The label for Atom-2 includes the sym-

metry operator and encoded unit-cell translations to be applied.

Atom-1	Atom-2	Interatomic distance (Å)	Clash overlap (Å)
5:A:612:HOH:O	5:B:833:HOH:O[4_445]	1.92	0.28

5.3 Torsion angles [i](#)

5.3.1 Protein backbone [i](#)

In the following table, the Percentiles column shows the percent Ramachandran outliers of the chain as a percentile score with respect to all X-ray entries followed by that with respect to entries of similar resolution.

The Analysed column shows the number of residues for which the backbone conformation was analysed, and the total number of residues.

Mol	Chain	Analysed	Favoured	Allowed	Outliers	Percentiles	
1	A	448/475 (94%)	436 (97%)	11 (2%)	1 (0%)	47	38
1	B	449/475 (94%)	439 (98%)	7 (2%)	3 (1%)	22	11
All	All	897/950 (94%)	875 (98%)	18 (2%)	4 (0%)	34	22

All (4) Ramachandran outliers are listed below:

Mol	Chain	Res	Type
1	B	413	GLY
1	B	122	SER
1	A	119	THR
1	B	412	GLY

5.3.2 Protein sidechains [i](#)

In the following table, the Percentiles column shows the percent sidechain outliers of the chain as a percentile score with respect to all X-ray entries followed by that with respect to entries of similar resolution.

The Analysed column shows the number of residues for which the sidechain conformation was analysed, and the total number of residues.

Mol	Chain	Analysed	Rotameric	Outliers	Percentiles	
1	A	339/354 (96%)	327 (96%)	12 (4%)	36	24
1	B	342/354 (97%)	335 (98%)	7 (2%)	55	48

Continued on next page...

Continued from previous page...

Mol	Chain	Analysed	Rotameric	Outliers	Percentiles
All	All	681/708 (96%)	662 (97%)	19 (3%)	43 32

All (19) residues with a non-rotameric sidechain are listed below:

Mol	Chain	Res	Type
1	A	33	LEU
1	A	84	GLU
1	A	94	PHE
1	A	143	GLU
1	A	179	SER
1	A	249	ASP
1	A	280	PHE
1	A	366	VAL
1	A	386	VAL
1	A	417	ASP
1	A	444	THR
1	A	445	TYR
1	B	27	VAL
1	B	33	LEU
1	B	84	GLU
1	B	94	PHE
1	B	132	ARG
1	B	280	PHE
1	B	417	ASP

Sometimes sidechains can be flipped to improve hydrogen bonding and reduce clashes. All (1) such sidechains are listed below:

Mol	Chain	Res	Type
1	B	85	ASN

5.3.3 RNA [i](#)

There are no RNA molecules in this entry.

5.4 Non-standard residues in protein, DNA, RNA chains [i](#)

There are no non-standard protein/DNA/RNA residues in this entry.

5.5 Carbohydrates [i](#)

There are no monosaccharides in this entry.

5.6 Ligand geometry [i](#)

Of 4 ligands modelled in this entry, 1 is monoatomic - leaving 3 for Mogul analysis.

In the following table, the Counts columns list the number of bonds (or angles) for which Mogul statistics could be retrieved, the number of bonds (or angles) that are observed in the model and the number of bonds (or angles) that are defined in the Chemical Component Dictionary. The Link column lists molecule types, if any, to which the group is linked. The Z score for a bond length (or angle) is the number of standard deviations the observed value is removed from the expected value. A bond length (or angle) with $|Z| > 2$ is considered an outlier worth inspection. RMSZ is the root-mean-square of all Z scores of the bond lengths (or angles).

Mol	Type	Chain	Res	Link	Bond lengths			Bond angles		
					Counts	RMSZ	$\# Z > 2$	Counts	RMSZ	$\# Z > 2$
4	PEG	B	478	-	6,6,6	0.47	0	5,5,5	0.50	0
2	ACY	A	476	-	3,3,3	0.80	0	3,3,3	0.66	0
2	ACY	B	477	-	3,3,3	0.66	0	3,3,3	1.20	0

In the following table, the Chirals column lists the number of chiral outliers, the number of chiral centers analysed, the number of these observed in the model and the number defined in the Chemical Component Dictionary. Similar counts are reported in the Torsion and Rings columns. '-' means no outliers of that kind were identified.

Mol	Type	Chain	Res	Link	Chirals	Torsions	Rings
4	PEG	B	478	-	-	1/4/4/4	-

There are no bond length outliers.

There are no bond angle outliers.

There are no chirality outliers.

All (1) torsion outliers are listed below:

Mol	Chain	Res	Type	Atoms
4	B	478	PEG	C1-C2-O2-C3

There are no ring outliers.

3 monomers are involved in 3 short contacts:

Mol	Chain	Res	Type	Clashes	Symm-Clashes
4	B	478	PEG	1	0

Continued on next page...

Continued from previous page...

Mol	Chain	Res	Type	Clashes	Symm-Clashes
2	A	476	ACY	1	0
2	B	477	ACY	1	0

5.7 Other polymers [i](#)

There are no such residues in this entry.

5.8 Polymer linkage issues [i](#)

There are no chain breaks in this entry.

6 Fit of model and data

6.1 Protein, DNA and RNA chains

In the following table, the column labelled ‘#RSRZ > 2’ contains the number (and percentage) of RSRZ outliers, followed by percent RSRZ outliers for the chain as percentile scores relative to all X-ray entries and entries of similar resolution. The OWAB column contains the minimum, median, 95th percentile and maximum values of the occupancy-weighted average B-factor per residue. The column labelled ‘Q < 0.9’ lists the number of (and percentage) of residues with an average occupancy less than 0.9.

Mol	Chain	Analysed	<RSRZ>	#RSRZ>2	OWAB(Å ²)	Q<0.9
1	A	452/475 (95%)	0.39	44 (9%) 7 8	22, 32, 67, 108	2 (0%)
1	B	455/475 (95%)	0.42	46 (10%) 7 7	22, 34, 69, 125	2 (0%)
All	All	907/950 (95%)	0.41	90 (9%) 7 8	22, 33, 67, 125	4 (0%)

All (90) RSRZ outliers are listed below:

Mol	Chain	Res	Type	RSRZ
1	B	468	LEU	9.6
1	A	119	THR	8.9
1	B	442	ASN	7.3
1	A	118	VAL	6.9
1	B	437	SER	5.8
1	B	413	GLY	5.7
1	A	120	GLY	5.4
1	A	124	TYR	5.3
1	A	3	ASP	5.2
1	A	466	ALA	5.1
1	B	122	SER	5.1
1	B	414	THR	4.9
1	B	3	ASP	4.8
1	B	443	SER	4.6
1	A	387	ALA	4.4
1	B	412	GLY	4.1
1	A	66	VAL	4.1
1	A	121	GLY	4.0
1	B	411	GLN	3.9
1	B	466	ALA	3.8
1	B	82	LEU	3.8
1	A	86	THR	3.7
1	A	414	THR	3.7
1	B	436	THR	3.7

Continued on next page...

Continued from previous page...

Mol	Chain	Res	Type	RSRZ
1	A	84	GLU	3.7
1	A	292	ASN	3.7
1	B	318	TYR	3.6
1	A	412	GLY	3.6
1	A	283	PHE	3.5
1	B	66	VAL	3.4
1	A	444	THR	3.4
1	B	281	THR	3.4
1	B	124	TYR	3.3
1	B	467	ALA	3.3
1	B	109	THR	3.3
1	A	280	PHE	3.2
1	A	110	VAL	3.1
1	B	415	VAL	3.1
1	A	388	SER	3.1
1	A	467	ALA	3.0
1	B	121	GLY	3.0
1	A	125	ASP	3.0
1	B	129	ASP	3.0
1	A	281	THR	3.0
1	B	84	GLU	3.0
1	A	169	VAL	2.9
1	A	291	THR	2.9
1	B	410	ALA	2.9
1	B	444	THR	2.8
1	A	35	GLY	2.8
1	A	82	LEU	2.8
1	B	280	PHE	2.8
1	A	122	SER	2.8
1	B	279	ALA	2.7
1	B	85	ASN	2.7
1	B	416	VAL	2.7
1	A	34	PHE	2.7
1	A	318	TYR	2.7
1	B	163	GLY	2.7
1	B	388	SER	2.7
1	B	33	LEU	2.6
1	B	34	PHE	2.6
1	B	169	VAL	2.6
1	A	317	ALA	2.5
1	B	123	PHE	2.5
1	B	178	GLY	2.5

Continued on next page...

Continued from previous page...

Mol	Chain	Res	Type	RSRZ
1	B	242	VAL	2.5
1	A	47	GLY	2.4
1	B	317	ALA	2.4
1	A	67	PHE	2.4
1	B	35	GLY	2.4
1	A	245	LEU	2.4
1	A	139	SER	2.4
1	A	85	ASN	2.4
1	A	389	ALA	2.3
1	A	130	THR	2.3
1	B	48	PRO	2.3
1	A	33	LEU	2.3
1	A	390	PRO	2.3
1	A	68	GLY	2.2
1	B	245	LEU	2.2
1	A	87	ARG	2.2
1	B	179	SER	2.2
1	A	48	PRO	2.1
1	A	69	TRP	2.1
1	A	170	PHE	2.1
1	B	83	ALA	2.1
1	B	216	ALA	2.1
1	B	79	ARG	2.1
1	B	107	VAL	2.0

6.2 Non-standard residues in protein, DNA, RNA chains [i](#)

There are no non-standard protein/DNA/RNA residues in this entry.

6.3 Carbohydrates [i](#)

There are no monosaccharides in this entry.

6.4 Ligands [i](#)

In the following table, the Atoms column lists the number of modelled atoms in the group and the number defined in the chemical component dictionary. The B-factors column lists the minimum, median, 95th percentile and maximum values of B factors of atoms in the group. The column labelled 'Q< 0.9' lists the number of atoms with occupancy less than 0.9.

Mol	Type	Chain	Res	Atoms	RSCC	RSR	B-factors(\AA^2)	Q<0.9
2	ACY	B	477	4/4	0.55	0.30	41,49,57,64	0
2	ACY	A	476	4/4	0.73	0.16	41,42,54,60	0
4	PEG	B	478	7/7	0.85	0.33	51,60,82,89	0
3	MG	B	476	1/1	0.98	0.14	35,35,35,35	0

6.5 Other polymers [i](#)

There are no such residues in this entry.